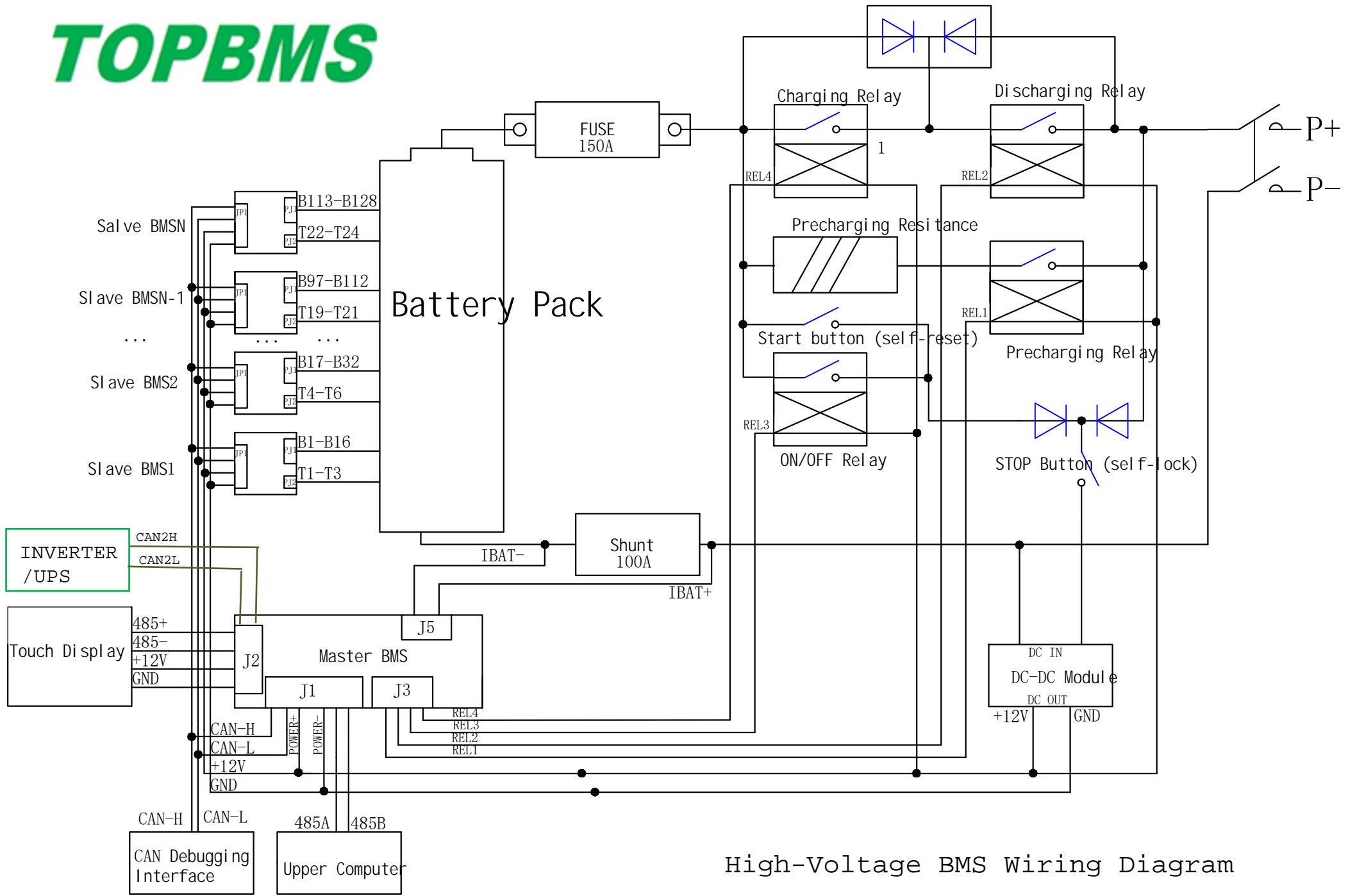


# TOPBMS



High-Voltage BMS Wiring Diagram